

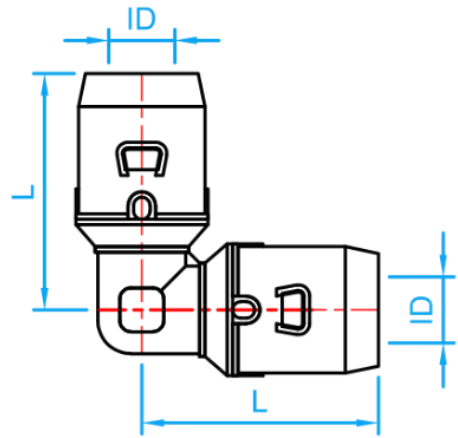
PEX MULTI LAYER PIPES AND FITTINGS



COMPLY WITH BS EN ISO 21003-1:2008
 BS EN ISO 21003-3:2008
 BS EN ISO 21003-5:2008
 BS EN 12165:2016
 AS/NZS 4020:2005
 SS 375:2015



F6 PUSH-FIT PEX EQUAL ELBOW



SIDE VIEW

DIMENSIONS

SKU	SIZE (mm)	ID (mm)	L (mm)	WEIGHT (kg)	PCS/CTN
PEXF6E90016	16	11.80	43	0.079	96
PEXF6E90020	20	15.80	47	0.120	112
PEXF6E90025	25	19.75	53	0.150	80
PEXF6E90032	32	25.75	63	0.312	42